

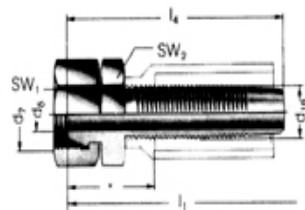
# Section 8 Tubing & Fittings

## METRIC HYDRAULIC NIPPLES # 20078

Genuine Argus Brand - For Assembly with Hydraulic Hose # 20021 & Sockets # 20077

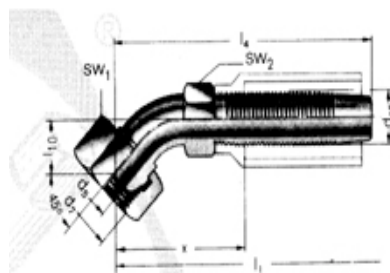
Item # **20078 A1** - Heavy/Standard Pressure - Straight - (Formerly 2353 H)

SIZE DN - Female Metric	SOCKET THREAD	LENGTH	USE WITH SOCKET	CONNECTION TO HYDRAULIC FITTING
				NOM. SIZE
5-12 x 1.5	7.5 x .75	57.5	2TE/3TE	6L
6-14 x 1.5	9 x 1	63	2TE/3TE	8L
8-16 x 1.5	11 x 1	65	2TE/3TE	10L
10-18 x 1.5	13 x 1	71	2TE/3TE	12L
12-22 x 1.5	16 x 1	77.5	2TE/3TE	15L
16-26 x 1.5	19 x 1	84.5	2TE/3TE	18L
20-30 x 2	23 x 1	94	2TE/3TE	22L
25-36 x 2	29 x 1.5	103	2TE/3TE	28L



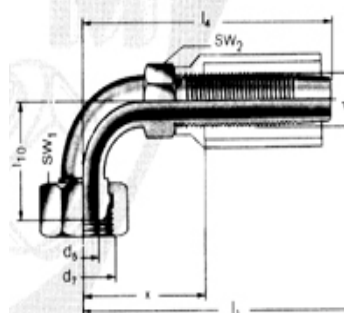
**New Item # 20078 A2** - Heavy/Standard Pressure - 45° Elbow

SIZE DN - Female Metric	SOCKET THREAD	LENGTH	USE WITH SOCKET	CONNECTION TO HYDRAULIC FITTING
				NOM. SIZE
5-12 x 1.5	7.5 x .75	65	2TE/3TE	6L
6-14 x 1.5	9 x 1	72	2TE/3TE	8L
8-16 x 1.5	11 x 1	76.5	2TE/3TE	10L
10-18 x 1.5	13 x 1	83.5	2TE/3TE	12L
12-22 x 1.5	16 x 1	91.5	2TE/3TE	15L
16-26 x 1.5	19 x 1	102	2TE/3TE	18L
20-30 x 2	23 x 1	116	2TE/3TE	22L
25-36 x 2	29 x 1.5	130	2TE/3TE	28L



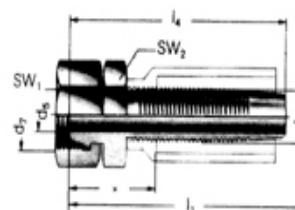
**New Item # 20078 A3** - Heavy/Standard Pressure - 90° Elbow

SIZE DN - Female Metric	SOCKET THREAD	LENGTH	USE WITH SOCKET	CONNECTION TO HYDRAULIC FITTING
				NOM. SIZE
5-12 x 1.5	7.5 x .75	59.5	2TE/3TE	6L
6-14 x 1.5	9 x 1	66.5	2TE/3TE	8L
8-16 x 1.5	11 x 1	72.5	2TE/3TE	10L
10-18 x 1.5	13 x 1	80.5	2TE/3TE	12L
12-22 x 1.5	16 x 1	89.5	2TE/3TE	15L
16-26 x 1.5	19 x 1	101.5	2TE/3TE	18L
20-30 x 2	23 x 1	114	2TE/3TE	22L
25-36 x 2	29 x 1.5	130	2TE/3TE	28L



**New Item # 20078 A6** - Heavy/Standard Pressure - BSP Straight

SIZE DN - Female BSP	SOCKET THREAD	LENGTH	USE WITH SOCKET
5-1/4 BSP	7.5 x .75	57.5	2TE/3TE
6-1/4 BSP	9 x 1	63	2TE/3TE
8-3/8 BSP	11 x 1	65	2TE/3TE
10-1/2 BSP	13 x 1	71	2TE/3TE
12-5/8 BSP	16 x 1	77.5	2TE/3TE
16-3/4 BSP	19 x 1	84.5	2TE/3TE
20-1 BSP	23 x 1	92.5	2TE/3TE
25-1 1/4 BSP	29 x 1.5	100.5	2TE/3TE



### How to Order

Item #: 20078 A6

Size: 10-1/2 BSP

Quantity: 2

Tel: 1-888-966-MMCC

(Continued)