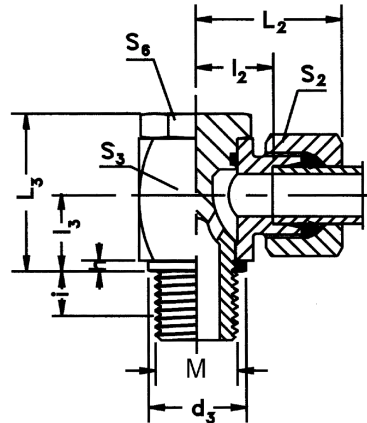


Section 8 Tubing & Fittings



ELBOW BANJO CONNECTORS # 2353 WH (Metric)

Zinc Yellow - Formerly # 2353 DSVW
Metric Tube to Metric Thread
Complete with Sleeves and Nuts



TUBE		CONNECTOR NOM. SIZE		DIMENSIONS								WEIGHT 100 PCS POUNDS
TUBE O.D.	NOMINAL PRESSURE BAR	NOMINAL SIZE	THREAD SIZE	ACROSS FLATS		HEX KEY S-6	LENGTHS					
				S-2	S-3		L-2	I-2	I-3	i	d3	
6	NP 200 (2900 PSI)	6L M	M 10 x 1	14	18	6	27	12.5	12	8	14	14
8		8L M	M 12 x 1.5	17	22	6	29	14.5	15	12	17	22
10		10L M	M 14 x 1.5	19	22	8	30	15.5	16	12	19	25
12		12L M	M 16 x 1.5	22	27	10	33	18	18	12	21	40
15		15L M	M 18 x 1.5	27	30	12	36	21	20	12	23	53
18		18L M	M 22 x 1.5	32	36	14	38	21.5	23	14	27	66.2
22	NP 100 (1450 PSI)	22L M	M 26 x 1.5	36	41	17	42	26	25	16	31	87.8
28		28L M	M 33 x 2	41	50	22	48	31.5	32	18	39	181.5
35		35L M	M 42 x 2	50	60	27	57	35.5	37	20	49	255.4
42		42L M	M 48 x 2	60	70	32	63	40	42	22	55	492.8
6	NP 250 (3625 PSI)	6S M	M 12 x 1.5	17	22	6	31	16.5	15	12	17	20.2
8		8S M	M 14 x 1.5	19	22	8	31	16.5	16	12	19	25.5
10		10S M	M 16 x 1.5	22	27	10	35	18.5	18	12	21	41.6
12		12S M	M 18 x 1.5	24	30	12	37	20.5	20	12	23	52.8
14		14S M	M 20 x 1.5	27	32	12	41	23	21	14	25	66.4
16		16S M	M 22 x 1.5	30	36	14	41	22.5	23	14	27	85.6
20		20S M	M 27 x 2	36	46	17	49	27.5	28	16	32	166.8
25		NP 155 (2250 PSI)	25S M	M 33 x 2	46	50	22	55	31	32	18	39
30	30S M		M 42 x 2	50	60	27	63	36.5	37	20	49	345.0
38	38S M		M 48 x 2	60	70	32	72	41	42	22	55	534.2

LL - Light Pressure

Nominal Pressure
NP - 100 BAR Max.
One Bar = 14.22 PSI

L - Medium Pressure

Nominal Pressure
NP - 250 BAR Max.
One Bar = 14.22 PSI

S - Heavy Pressure

Nominal Pressure
NP - 630 BAR Max.
One Bar = 14.22 PSI

How to Order
Item #: 2353 WH
Size: 22L M
Quantity: 10
Tel: 1-888-966-MMCC

Outside diameter of the tube indicates nominal diameter of the fitting
Available in Brass and Stainless Steel upon request - **Please inquire.**